



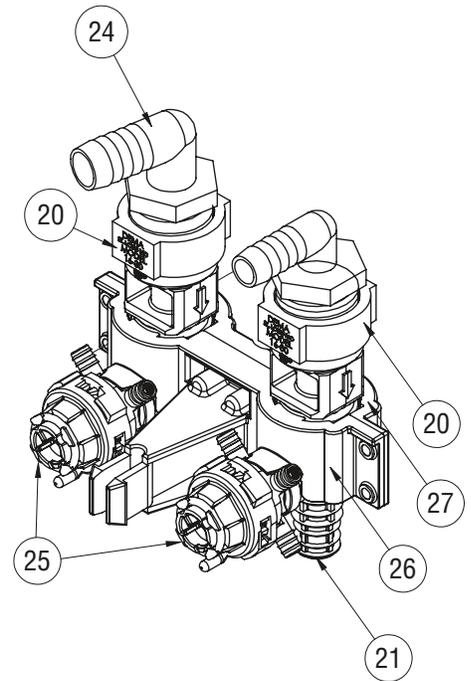
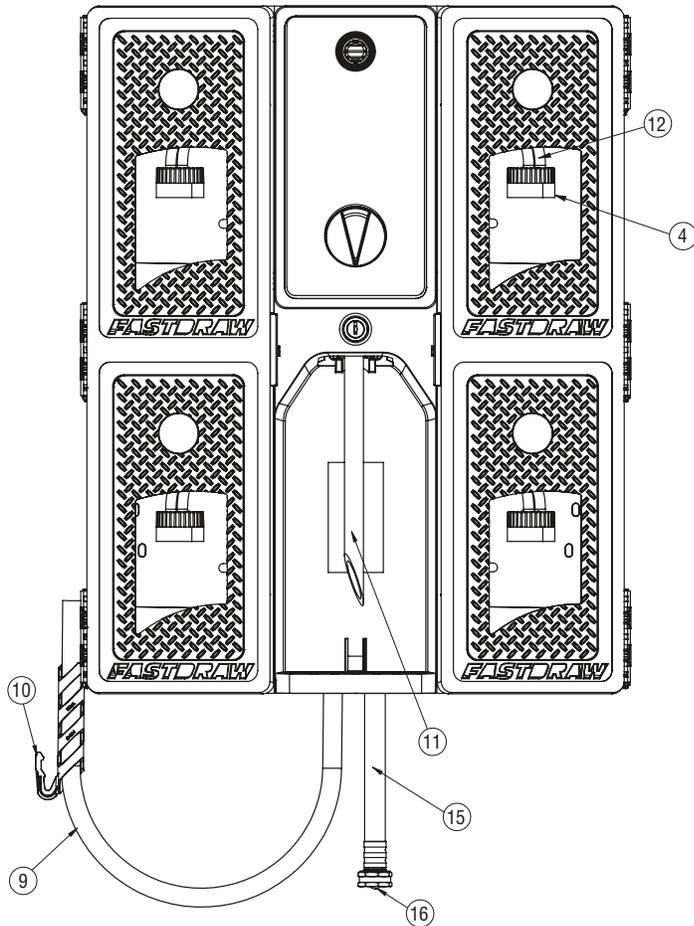
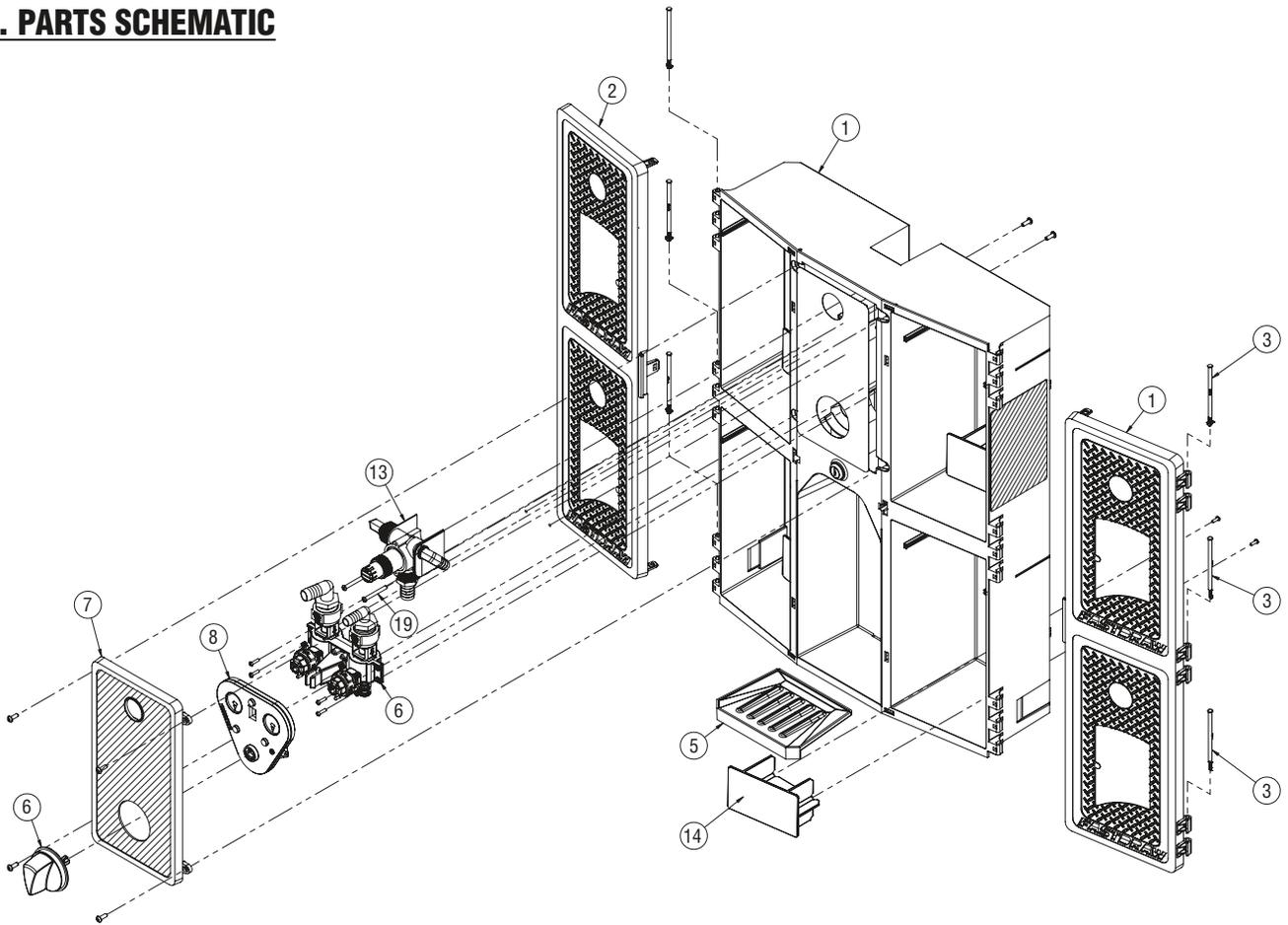
**92174-00**  
**91599-00 (Airgap)**  
**Technical Manual**



- EQUIPMENT PACKING LIST**
- FASTDRAW PRO® Dispenser with attached 6' water inlet hose
  - Keys (2)
  - Hose Hook
  - Technical Manual
  - Operation Chart
  - Wall Anchors (4) and Screws (4)
  - 6 ft. Bucket Fill Hose
  - 9-1/2" Bottle Fill Hose
  - 6 ft. Drip Tray Tubing (Optional)

<b>Section</b>	<b>Page</b>
1. Parts Schematic/List.....	2 - 3
2. System Description.....	4
3. Pre-Installation Requirements .....	4
4. Tools Required for Installation .....	4
5. System Installation .....	5
6. Product Installation.....	6
7. Operation .....	6
8. Accessing Internal Dispenser Parts .....	6
9. User Guidelines.....	7
10. Troubleshooting Guide.....	7

# 1. PARTS SCHEMATIC



## **PARTS LIST**

<b>No.</b>	<b>Description</b>	<b>Qty.</b>	<b>Color</b>	<b>Part No.</b>
1	Right Door	1	Gray	98532-00
2	Left Door	1	Gray	98533-00
3	Hinge Pins	6	Black	98534-00
4	Docking Caps	4	Gray	98535-00
5	Drip Tray	1	Red	98536-00
6	Selector Dial	1	Red	98537-00
7	Cover	1	Black	98538-00
8	Transmission	1	Gray	98539-00
9	Bucket Fill Hose (Action Gap)	1	Gray	98317-00
10	Bucket Fill Hose Hook	1	Gray	98315-00
11	Bottle Fill Hose (Action Gap)	1	Gray	98318-00
12	1/4" Vinyl Tubing (Bottle & Bucket Fill)	8	Clear	98351-00
13	Push Button Bucket Fill Assembly	1	Red	98540-00
14	Back Stop	4	Black	98541-00
15	Water Supply Hose	1	Black	98542-00
16	Strainer Washer	1	Black	98308-00
17	Wall Mounting Kit (4 Anchors & 4 Screws) <i>[not shown]</i>	4	White/Chrome	98543-00
18	Keys <i>[not shown]</i>	2	Chrome	98544-00
19	#8 Hi Lo Screw x 1/2" Long	12	Stainless Steel	98309-00

### **Action Gap - Manifold Valve Assembly**

20	Bucket Fill Action Gap - Back Flow Preventer	1	White	98312-00
21	Bucket Fill Proportioner	1	White	98313-00
22	Bottle Fill Action Gap - Back Flow Preventer	1	White	98312-00
23	Bottle Fill Proportioner <i>[not shown]</i>	1	Green	98314-00
24	Elbow Fittings	2	White	98545-00
25	Manifold Selector Valve	2	Black	98546-00
26	Manifold Valve Bracket Front	1	Gray	98547-00
27	Manifold Valve Bracket Back	1	Gray	98548-00

### **Air Gap - Manifold Valve Assembly**

28	Bucket Fill Air Gap & Proportioner	1	White	98289-00
29	Bottle Fill Air Gap & Proportioner	1	Green	98299-00
30	Bucket Fill Hose - Air Gap Only	1	Gray	98300-00
31	Bottle Fill Hose - Air Gap Only	1	Gray	98301-00
32	Priming Tube - Air Gap Only	1	Clear	98302-00

## **2. SYSTEM DESCRIPTION**

FASTDRAW PRO® is the most robust and convenient four (4) product system in the industry; designed with innovative features that help users perform their jobs faster and better. The following is just a short list of the features and benefits in this system:

- Solid Durable Construction – Dispenser will handle the rigors of heavy wear-n-tear.
- 3 Point Lock – Strongest locking system in the market prevents theft and pilferage.
- Mounts Anywhere – This dispenser can be mounted in a corner or on a flat wall.
- Metering Tips – Each Betco refill comes with a metered insert therefore separate metering tips are not required.
- Bottle or Bucket Fill – Each bay in this dispenser can fill bottles (1 gpm), buckets (4 gpm) or automatic scrubbers (4 gpm).
- One-Hand Bottle Fill – Filling quart bottles has never been easier; simply slide quart bottle on the tube and push up.
- Backflow Prevention - Dispenser comes in either Action Gap or Airgap which are ASSE and IAPMO approved.
- Viewing Windows – Each bay has two (2) view windows to identify the type of product and remaining product in the bottle.

## **3. PRE-INSTALLATION REQUIREMENTS**

- Thoroughly read the entire technical manual prior to beginning the installation of this dispenser.
- Know what products are required for use in maintaining the facility.
- Make sure all components outlined in the parts schematic (pp. 2 - 3) are in the carton.
- Use water supply lines from tap water outlets with a minimum of 20 PSI, not to exceed 80 PSI, and water temperature must not exceed 100°F.
- Make sure the mounting surface can hold a 40 lb. vertical load.
- If flat wall mounting near a corner, allow 3” on either side of the dispenser to open the doors properly.
- Install the unit close to a floor drain or sink whenever possible.
- As with all chemical management systems, place it in an area that can be secured from unauthorized personnel. FASTDRAW PRO has two (2) locking doors to prevent tampering or theft.

## **4. TOOLS REQUIRED FOR INSTALLATION**

- Hammer
- Tape Measure
- Drill with 9/32” drill bit
- Medium Phillips Head Screwdriver
- Pencil
- 2 ft. Level



## 5. SYSTEM INSTALLATION

FLAT WALL INSTRUCTIONS	CORNER MOUNT INSTRUCTIONS
<ul style="list-style-type: none"> <li>Open the dispenser doors (unlock) and hold the dispenser in the location to be mounted.</li> </ul>	<ul style="list-style-type: none"> <li>Open the dispenser doors (unlock) and hold the dispenser in the location to be mounted.</li> </ul>
<ul style="list-style-type: none"> <li>Using the level, check to make sure the dispenser is level.</li> </ul>	<ul style="list-style-type: none"> <li>Using the level, check to make sure the dispenser is level.</li> </ul>
<ul style="list-style-type: none"> <li>Mark the top 2 holes to be mounted.</li> </ul>	<ul style="list-style-type: none"> <li>Mark all 4 holes to be mounted. <i>(These holes are located in the corner of the unit.)</i></li> </ul>
<ul style="list-style-type: none"> <li>Drill holes using 9/32" drill bit.</li> </ul>	<ul style="list-style-type: none"> <li>Drill holes using 9/32" drill bit.</li> </ul>
<ul style="list-style-type: none"> <li>Insert the anchors into the drilled holes and tap them into the wall until the anchors are flush to the wall.</li> </ul>	<ul style="list-style-type: none"> <li>Insert the anchors into the drilled holes and tap them into the wall until the anchors are flush to the wall.</li> </ul>
<ul style="list-style-type: none"> <li>Place the top 2 screws into the anchors and tighten to 3/8" depth.</li> </ul>	<ul style="list-style-type: none"> <li>Hold dispenser up to anchors and loosely screw in the top 2 screws.</li> </ul>
<ul style="list-style-type: none"> <li>Hang the dispenser on the screws and mark the bottom 2 holes.</li> </ul>	<ul style="list-style-type: none"> <li>Screw in the bottom 2 screws into the anchors and tighten.</li> </ul>
<ul style="list-style-type: none"> <li>Remove the dispenser to drill bottom 2 holes with 9/32" drill bit.</li> </ul>	<ul style="list-style-type: none"> <li>Finish by tightening the top 2 screws.</li> </ul>
<ul style="list-style-type: none"> <li>Insert the anchors into the drilled holes and tap them into the wall until the anchors are flush to the wall. Place bottom 2 screws into the anchors and tighten to 3/8" depth.</li> </ul>	<ul style="list-style-type: none"> <li>Connect the black inlet water hose to the water supply. Turn on the water to check for leaks. If leaks are present, tighten the hose connection accordingly. Do not over tighten.</li> </ul>
<ul style="list-style-type: none"> <li>Hang dispenser back on the top 2 screws, tighten bottom 2 screws and then finish by tightening the top 2 screws.</li> </ul>	
<ul style="list-style-type: none"> <li>Connect the black inlet water hose to the water supply. Turn on the water to check for leaks. If leaks are present, tighten the hose connection accordingly. Do not over tighten.</li> </ul>	

## 6. PRODUCT INSTALLATION

- Open up the doors on the dispenser. Determine the product you wish to use in each dispenser bay. Find the supplied docking cap hanging in each bay. Place the product in the bay and screw the cap onto the bottle (DO NOT OVER TIGHTEN). Continue installing the rest of the products in the remaining bays.
- Turn the selector dial to the appropriate product and start priming the system by filling bottles and buckets of product.

- i. One Hand Bottle Fill – slide the quart bottle



- ii. Bucket Fill – place the end of the 6ft hose into a mop bucket or slop sink and push the red button to start filling.



## 7. OPERATION

- Bottle Fill

- i. Turn the selector dial to the appropriate product.



- ii. One Hand Bottle Fill – Slide the quart bottle onto the hose and push up to start filling.



- Bucket Fill

- i. Turn the selector dial to the appropriate product.



- ii. Place the end of the 6ft hose into a mop bucket or automatic scrubber and push the red button to start filling. *[HINT: For filling a large automatic scrubber the push button can be locked in place with an 1/8 turn clockwise]*



## 8. ACCESSING THE INTERNAL DISPENSER PARTS

- To access the proportioner and backflow preventer, the front cover must be removed by the following steps:

- i. Unlock and open both doors.



- ii. Remove screws from cover and then remove the cover.



- iii. Pull off selector dial.



- iv. Squeeze the clip connector on the valve manifold and pull off the manifold.



## 9. USER GUIDELINES

- Always wear appropriate Personal Protective Equipment (PPE) when using any chemical.
- Always observe safety and handling instructions that are found on the Material Safety Data Sheets (MSDS).
- Always direct chemical discharge away from you or other persons.
- Keep equipment clean to maintain proper operation.
- Always reassemble equipment according to instruction procedures. Be sure all components are firmly screwed or latched into position.
- Use of any other product through the FASTDRAW PRO System, other than products manufactured by Betco® Corporation, will void all warranties and may prevent the system from operating properly.
- REMEMBER – Always turn water off when dispenser is not in use.

## 10. TROUBLESHOOTING CHART

Problem	Cause	Solution
1. Unit doesn't dispense	<ul style="list-style-type: none"> <li>a. No water</li> <li>b. Magnetic valve not functioning</li> <li>c. Excessive water pressure</li> <li>d. Eductor clogged</li> <li>e. Low flow mechanism failure</li> <li>f. Clogged water inlet strainer</li> </ul>	<ul style="list-style-type: none"> <li>a. Open water supply</li> <li>b. Install valve parts kit</li> <li>c. Install regulator if flowing water pressure exceeds 60psi</li> <li>d. Clean* or replace</li> <li>e. Install new parts</li> <li>f. Disconnect inlet water line and clean strainer</li> </ul> <p><i>*Soak educator in Betco product AC114, at a 1:10 dilution to delime eductor.</i></p>
2. No concentrate draw	<ul style="list-style-type: none"> <li>a. Clogged product bottle</li> <li>b. Eductor has scale build-up</li> <li>c. Low water pressure</li> <li>d. Product bottle is empty</li> <li>e. Clogged water inlet strainer</li> <li>f. Selector dial out of position</li> <li>g. Check valve installed backwards</li> <li>h. Air leak in chemical pick-up tube</li> <li>i. Docking seal has worn out</li> </ul>	<ul style="list-style-type: none"> <li>a. Clean or replace</li> <li>b. Clean (descale) or replace</li> <li>c. Minimum 20 psi (with water running) required to operate unit properly</li> <li>d. Replace with full product bottle</li> <li>e. Disconnect inlet water line and clean strainer</li> <li>f. Assure selector is in desired position</li> <li>g. Confirm arrow on side of check valve is pointed toward eductor</li> <li>h. Put clamp on tube or replace tube if brittle</li> <li>i. Replace the docking cap</li> </ul>
3. Failure of unit to turn off	<ul style="list-style-type: none"> <li>a. Water valve parts dirty or defective</li> <li>b. Magnet doesn't fully return</li> <li>c. Excessive water pressure</li> <li>d. Mechanism hangs up</li> </ul>	<ul style="list-style-type: none"> <li>a. Clean or replace with valve parts kit</li> <li>b. Make sure magnet moves freely Replace spring if short or weak</li> <li>c. Install regulator if pressure (with water flowing) exceeds 60 psi</li> <li>d. Be sure bracket is free to move and not broken</li> </ul>
4. Excess foaming in discharge	<ul style="list-style-type: none"> <li>a. Air leak in chemical pick-up tube</li> <li>b. Unused concentrate inlet barb not plugged</li> </ul>	<ul style="list-style-type: none"> <li>a. Put clamp on tube or replace tube if brittle</li> <li>b. Insert clear metering tip in unused concentrate inlet barb</li> </ul>
5. Solution comes out wrong tube	<ul style="list-style-type: none"> <li>a. Incorrect tubes connected to inlet parts</li> </ul>	<ul style="list-style-type: none"> <li>c. Review instructions on matching products with proper inlet stubs</li> </ul>



**Cleaning Innovations That Matter.**

888-GO BETCO | [betco.com](http://betco.com)

©2013 Betco Corporation  
All Rights Reserved.

Worldwide Headquarters  
1001 Brown Avenue  
Toledo, Ohio 43607-0127

Item #91608-92

